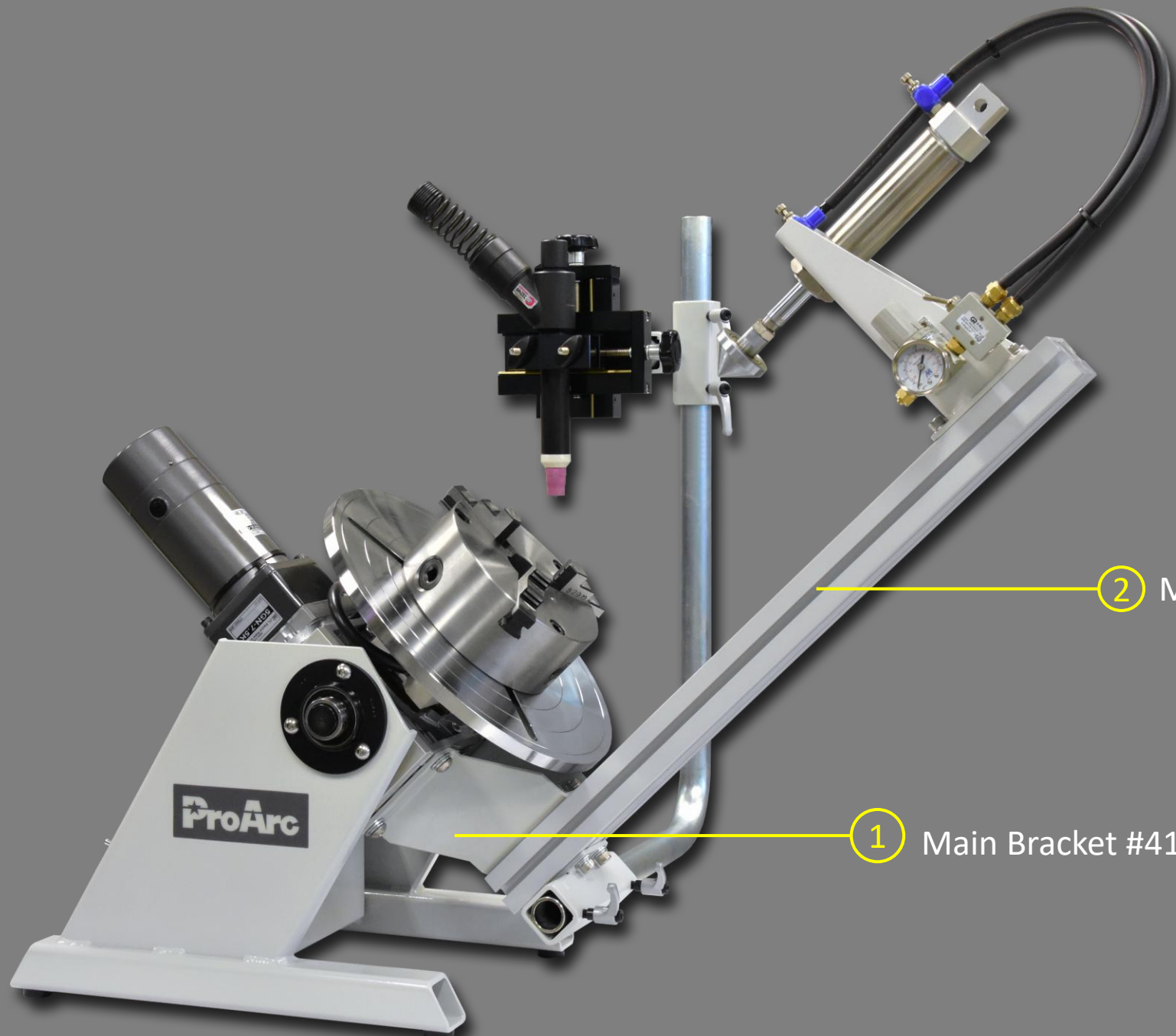


Components Installation Procedure
E.Z.Arc U Type



② Mounting rail #2050

① Main Bracket #4195



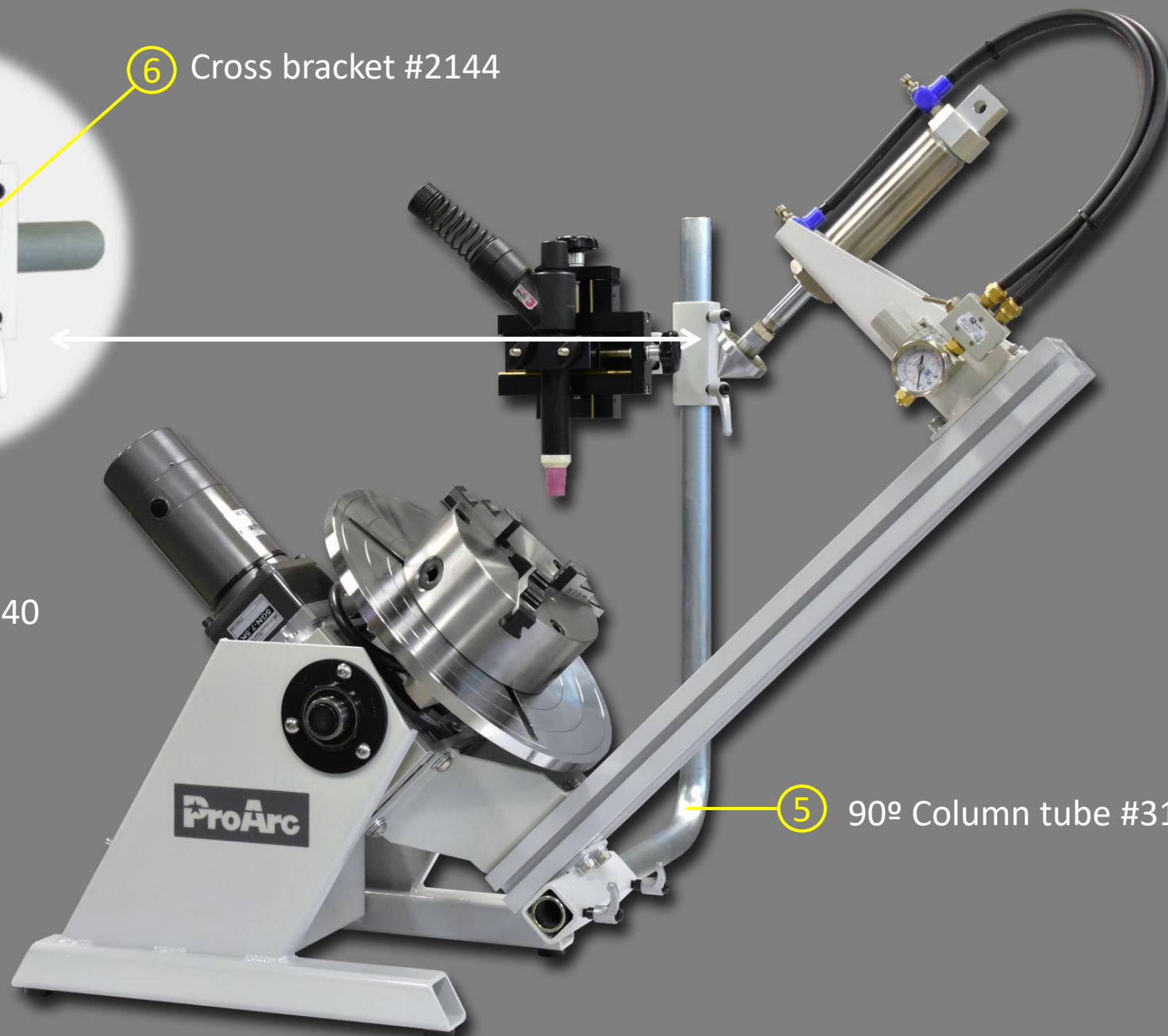
4 TS-075S Tailstock

3 End bracket #2281

⑥ Cross bracket #2144

⑦ Boom tube with mounting pad #3140

⑤ 90° Column tube #3164



2 x Sliders SL-050

V-Block torch holder VH-035

